

POLE COVERS

Spartan Model **Fully Assembled #0100**

The Spartan Model most closely resembles decorative metallic light and sign poles. It is black in color, but can be changed to match your theme.

The Spartan is designed with a 3" aperture (3 1/8" for U-Channel) to accommodate standard pole sizes, which range from 1-3" in width. There are 16 component plastic pieces for each full assembly, as well as 10 rubber pieces. Each plastic piece is manufactured in a reciprocated fashion, meaning the tool is designed to produce both halves of each section. The base section is flared out for decorative and practical purposes, since it is designed to cover most pole bracket designs. The base is also fortified with thicker material to prevent breaks from inadvertent lawnmower or weedeater strikes.

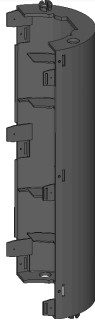
Pole Covers snap together horizontally and vertically, with an optional set-screw hole to ensure the covers remain assembled. The internal structure of each of the covers is a series of plastic ribs to ensure internal strength. Rubber shims are affixed to the ribs at varying intervals to grip each pole regardless of diameter. These shims also prevent the Pole Covers from experiencing significant vibration when the poles shake in the wind.

The Spartan is manufactured using TriFlex 23TL Black (retro) HDPE. A retroreflective additive makes the entire cover visible and safe at night. It is also manufactured with a UV protectant which ensures a lifespan of at least five (5) years.

Height: Maximum 90", Width: Maximum 18"

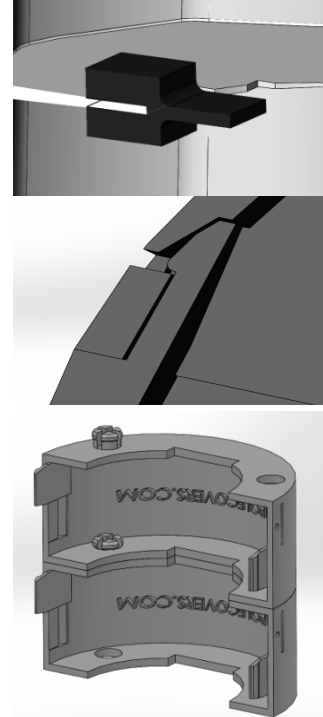


Spartan Model Assembly

<u>Part Number</u>	<u>Part Name</u>	<u>Pieces</u>	
0101	23" Base	2	
0102	23" Middle	4	
0103	3" Top	2	
0104	12" Spacer	2	
0105	2" Spacer	6	
0106	Rubber Shim	10	

To Assemble:

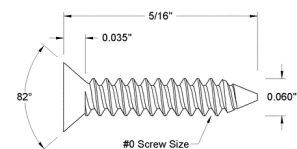
1. Determine the correct height of the pole cover by measuring the distance between the ground and the bottom of the sign.
2. Identify the correct parts of the Spartan needed to achieve desired height. (Note: depending on the sign height, you may need to add or remove parts from the assembly.)
3. Evenly space and apply the 10 rubber shims to the internal ribs of each cover that will be used in the assembly. Shims are applied by pressing the groove of the shim against the internal rib. (Note: when the Spartan is assembled, the tongue of the shim will press against the pole and will bend to accommodate different pole dimensions.)
4. Snap the two base pieces together by pressing the tabs into their opposing slots. (Note: you may start with any opposing pieces and work down or up. For very tall poles, it may be easier to start by assembling the top pieces first.)
5. Snap two middle sections together (depending on the height of the pole) horizontally. (Note: if the pieces don't fit together, rotate one piece upside down. There is an inner rib along one end to keep the pieces together, and this rib cannot oppose the opposite rib.)
6. Snap the vertical snaps* from the base section into the middle section. (Note: it may be easier to snap the vertical piece(s) prior to the horizontal piece(s)).
***The vertical snaps are composed of 4 distinct tabs. It's normal for one or more of these tabs to break off during installation. These tabs are meant to break during the disassembly process to make removal easier.**
7. [Optional] Insert a set screw (sold separately) into each set screw hole. (Note: we recommend a 5/16" 18-8 Stainless Steel flat head sheet metal screw.)
8. Repeat the previous steps with all necessary pieces until the Spartan is assembled.



To Disassemble:

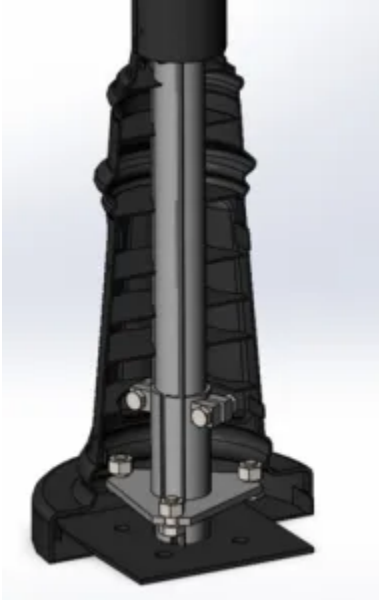
While not recommended, it may be necessary to disassemble your Pole Cover.

1. Remove any set screws.
2. Insert a flathead screwdriver (not provided) into the slot outside of each horizontal tab. Pull the covers apart with the tabs depressed.
3. Insert a flathead screwdriver between the vertical pieces as close to the button snaps as possible. The button snaps will come apart as the screwdriver is wedged between the pieces.



Spartan Model Base Section Part #0101

The base section is manufactured in one half piece, with two interchangeable halves making a complete section. The design is fluted to match most decorative light and sign poles. The bottom is flared out to fit over most mounting brackets.

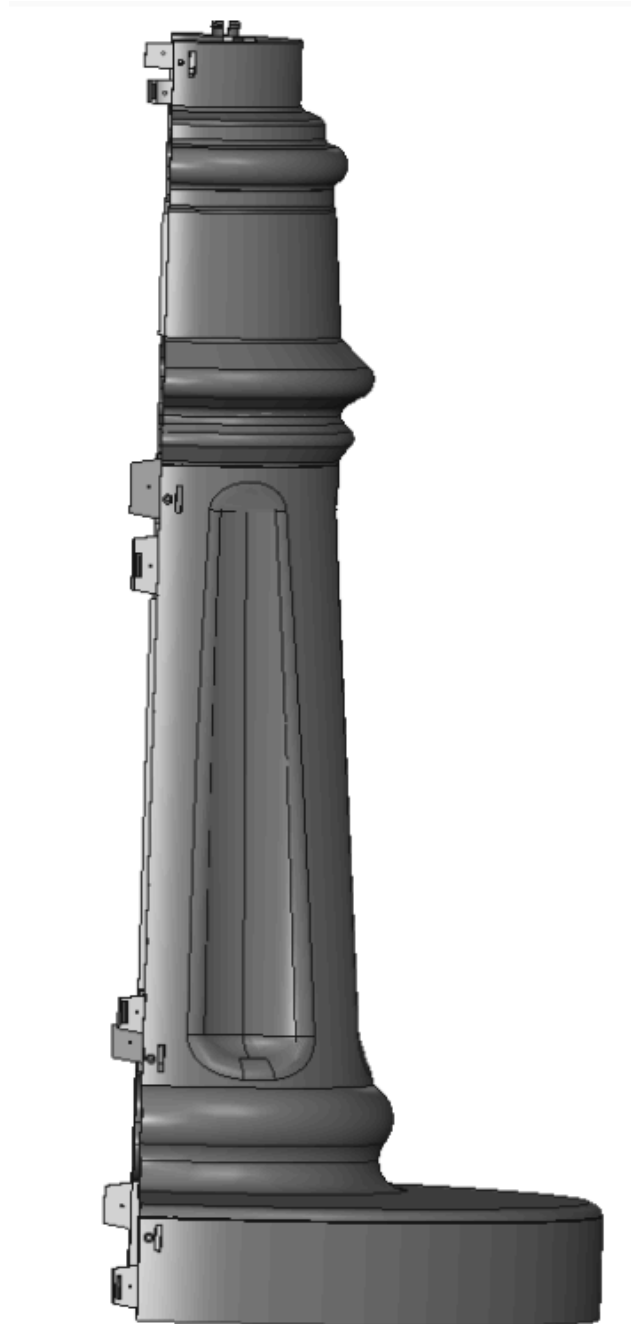


The base is reinforced with .2" thick plastic vs. .125" for the rest of the cover. There are extra vertical ribs built into the base to withstand the weight of being stepped on. These ribs also keep the base from sagging under the pressure of the middle and top pieces.



The 8 latching tabs have a predrilled hole for an optional set screw (sold separately). Use a flathead screwdriver in the prepared slot outside each tab to release the tab. The base also includes holes at the bottom for optional accessories (sold separately). This part is fully recyclable.

Height: 23", Width: 18"



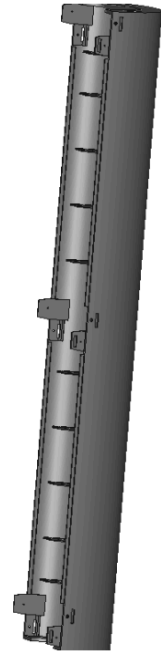
Spartan Model
Middle Section
Part #0102

The middle section is manufactured in one half piece, with two interchangeable halves making a complete section. The design is smooth to match most decorative light and sign poles.

One vertical edge has an additional internal rib designed to keep both halves snugly together. During assembly of two pieces, ensure the ribs are on opposite sides which allows the covers to snap together.

The 6 latching tabs have a predrilled hole for an optional set screw (sold separately). Use a flathead screwdriver in the prepared slot outside each tab to release the tab. This part is fully recyclable.

Height: 23", Width: 4.5"



Spartan Model

Top Section

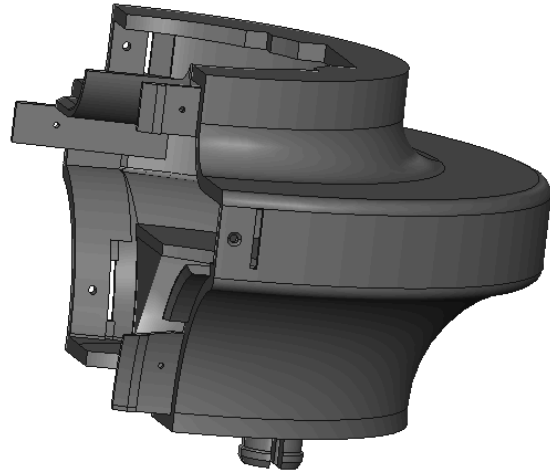
Part #0103

The top section is manufactured in one half piece, with two interchangeable halves making a complete section. The design is smooth to match most decorative light and sign poles.

After assembly, the top hole should not be sealed off around the pole. This is to allow air flow and water drainage through the entire assembled Pole Cover.

The 3 latching tabs have a predrilled hole for an optional set screw (sold separately). Use a flathead screwdriver in the prepared slot outside each tab to release the tab. This part is fully recyclable.

Height: 3", Width: 4.5"



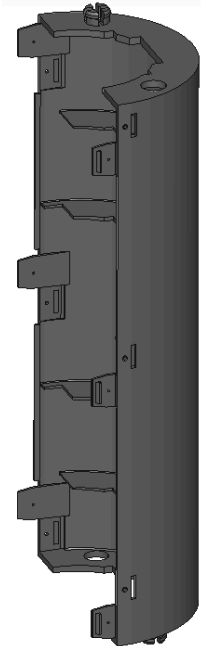
Spartan Model
12" Spacer Section
Part #0104

The 12" Spacer section is manufactured in one half piece, with two interchangeable halves making a complete section. The design is smooth to match most decorative light and sign poles.

One vertical edge has an additional internal rib designed to keep both halves snugly together. During assembly of two pieces, ensure the ribs are on opposite sides which allows the covers to snap together.

The 6 latching tabs have a predrilled hole for an optional set screw (sold separately). Use a flathead screwdriver in the prepared slot outside each tab to release the tab. This part is fully recyclable.

Height: 12", Width: 4.5"

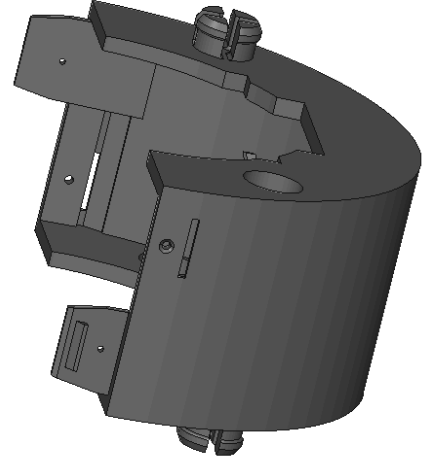


Spartan Model
2" Spacer Section
Part #0105

The 2" Spacer section is manufactured in one half piece, with two interchangeable halves making a complete section. The design is smooth to match most decorative light and sign poles.

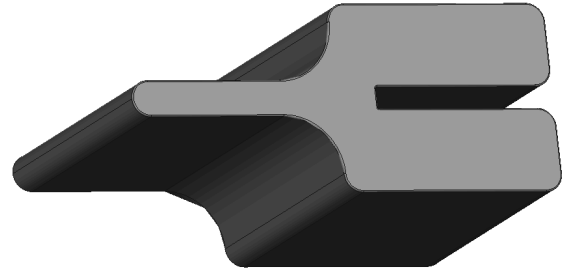
The 2 latching tabs have a predrilled hole for an optional set screw (sold separately). Use a flathead screwdriver in the prepared slot outside each tab to release the tab. This part is fully recyclable.

Height: 2", Width: 4.5"



Spartan Model
Rubber Shim
Part #0106

Each Spartan kit comes with a bag of 10 rubber shims. These shims are tongue-in-groove, with the groove firmly slipping over any one of the internal ribs. The shims protect the entire assembly from external vibrations as well as ensure a snug fit for most pole diameters.



Shims may be placed on any of the internal ribs.

However, the more evenly spaced they are internally the better the fit against the pole.

For most round and square poles, the shim is placed directly against the horizontal flat edge of the inner rib.

For larger diameter poles (typically over 3"), cut off the tongue of the shim with scissors or a utility knife before installing.

For U-Channel poles, the shim is placed on the rounded edge of the internal horizontal ribs. (Note: shims should be placed so that the tongue faces the front of the U-Channel.)

Spartan Model Limited Warranty

The Spartan is guaranteed not to break or fade under normal conditions for a period of five (5) years. For full warranty information, and to warranty your purchase, please visit www.polecovers.com/warranty.

Thank you!